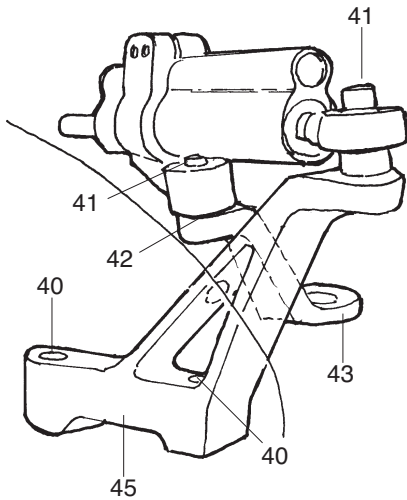


SD 146

Steering Damper
Suzuki TL 1000 S
Stroke 63 mm



Spare part List

FigNo.	Part No	Description	Qty
	02260-10	Damper unit	
00	00194-10	Sticker "ÖHLINS" transp/blue 20x53	2
01	02212-02	Cover reservoir SD1003/2003	1
02	00338-60	O-ring 8.1x1.6 NBR70	1
03	02213-01	Reservoir 8.5x27	1
09	02228-07	Cylinder 149	1
10	02216-01	Jet 1.9 SD1003	1
11	02217-01	Needle 1.9/6	1
12	01474-01	Spring 1.92/6.3	1
13	00884-04	Ball 2-G20	2
14	02218-01	Needle fork SD1003/2003	1
15	00338-53	O-ring 7.1x1.6 NBR70	1
16	02221-01	Circlip 11.2/0.8	1
17	02219-01	Knob SD 1000	1
18	01502-02	Screw P6SS M3x6 stainless	1
19	02210-01	Cover cylinder SD1003/2003	2
20	02222-02	Seal SD 1000 8/16/9 PTFE	2
21	01056-09	Bushing 8/10/8 DU	2
22	02211-01	Bushing holder	2
23	02220-01	Circlip 17.2/1.0	2
24	02250-01	Nut	1
25	02251-01	Circlip SRA8 DIN7993 DIN 17224	1
26	02249-01	Sleeve	1
27	02209-01	Piston ring 16	1
28	02248-01	Piston	1
29	02207-02	End eye SD 8/22/19	1
30	02236-01	Ball joint dia 8/19/12	2
31	02256-07	Shaft 8/222	1
32	02237-01	Shaft cover	1
33	00382-04	Screw MFT (DIN965) A2 M4x12	1
35	02230-03	Bracket assy SD1204 with circlip	1
37	01046-18	Bolt MC6S 5x16 8.8 fzb	2
38	02227-03	Valve assy.	1
40	01046-09	Bolt MC6S 6x40 8.8 fzb	2
41	01046-17	Bolt MC6S 6x25 8.8 fzb	2
42	02239-01	Sleeve 6/14/15	1
43	02239-02	Sleeve 6/14/18.5	1
44	02270-03	Bracket GSX 750 R 96-99	1
45	02272-02	Bracket, frame Suz1300	1

